

# RAPIDO PRO



**Precise ball screw and slider bearings**  
To ensure high grinding precision.



**Highest quality components**  
Assembled with Siemens, HIWIN and B&R components.



**Lathe and  
Lathe+grinding options**



**Self Align System**  
The grinder auto set its trayjectory



**Full face and tape automatic lathe**  
Easy to configure and operate

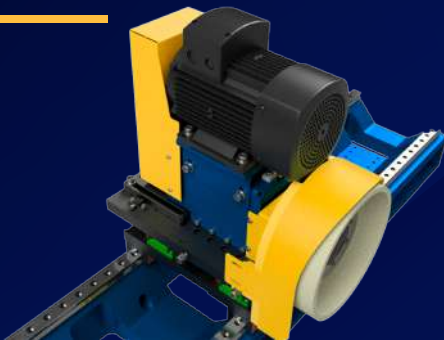


**Diameter Tracing Analysis**  
Measuring and recording the roll profile

## GENERAL TECHNICAL SPECIFICATIONS

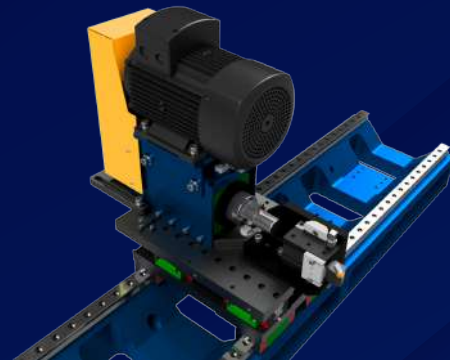
|                    |                                  |
|--------------------|----------------------------------|
| Roll diameters     | Ø600 to Ø813 mm   Ø23.6" to Ø32" |
| Roll Lengths       | 1250 to 2150 mm   49" to 84"     |
| Bed construction   | One piece of casting             |
| Overall Bed Lenght | 2500 mm   98"                    |
| Z- Axis stroke     | 2150 mm   84"                    |
| X- Axis stroke     | 100 mm   4"                      |

## FUNCTIONS



**GRINDER**

Grinding Wheel Speed: up to 2000 RPM  
Grinding Wheel Size: Ø300 x 100 mm  
Grinding Wheel Power: 5,5 Kw



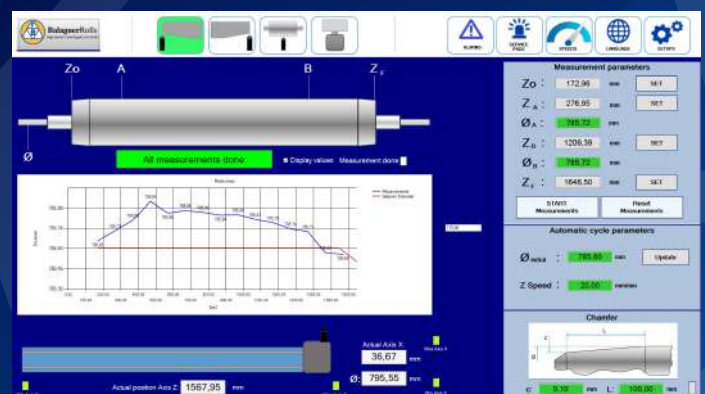
**LATHE**

Depth of cutting: Up to 1 mm in radius @ 25mm/min.  
Tooling: Special tool developed by Balaguer Rolls.  
Height adjustment: ± 5 mm

## SOFTWARE TECNOLOGIES

### SELF ALIGN SYSTEM

The Operator places the tool in both edges of the rolls and in two points where the diameters were measured previously. The SAS consider this points and gets self- aware of the special position of the roll using an exclusive algorithm developed by Balaguer Rolls



### FULL FACE AND TAPER AUTOMATIC LATHE


With the information from the SAS, the OGM 2.0 will execute the full face and the tapers automatically. The operator set the taper configuration and the final desired diameter.

### DIAMETER TRACING ANALYSIS

The DTA executes a scanning along the roll measuring the diameter each 100 mm providing the information in a graphic in the touch-screen.



[www.balaguer-rolls.com](http://www.balaguer-rolls.com)

 Facebook
  Youtube
  LinkedIn



**BalaguerRolls**  
High Quality Centrifugally Cast Rolls